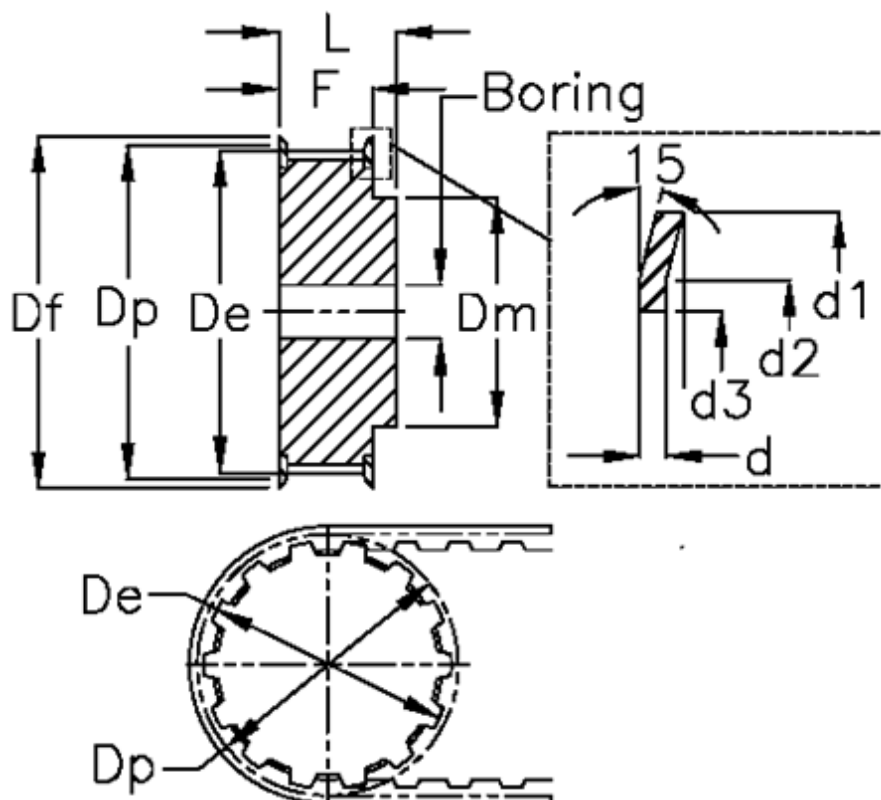


Article number: 60415221024

Description: Timing Belt Pulley 21 AT5 24/2

## Measures



Belt width = - 10 mm	Dp	= 38.2
d = 1	F	= 15
d1 = 42	Flange type	= F15
d2 = 38	L	= 21
d3 = 30.5	Pre-drilled	= 6
De = 37	Tooth number	= 24
Df = 42	Type	= AT5
Dm = 26	Weight	= 0.054